

TBV Vessel

TBV-038 Vessel Design

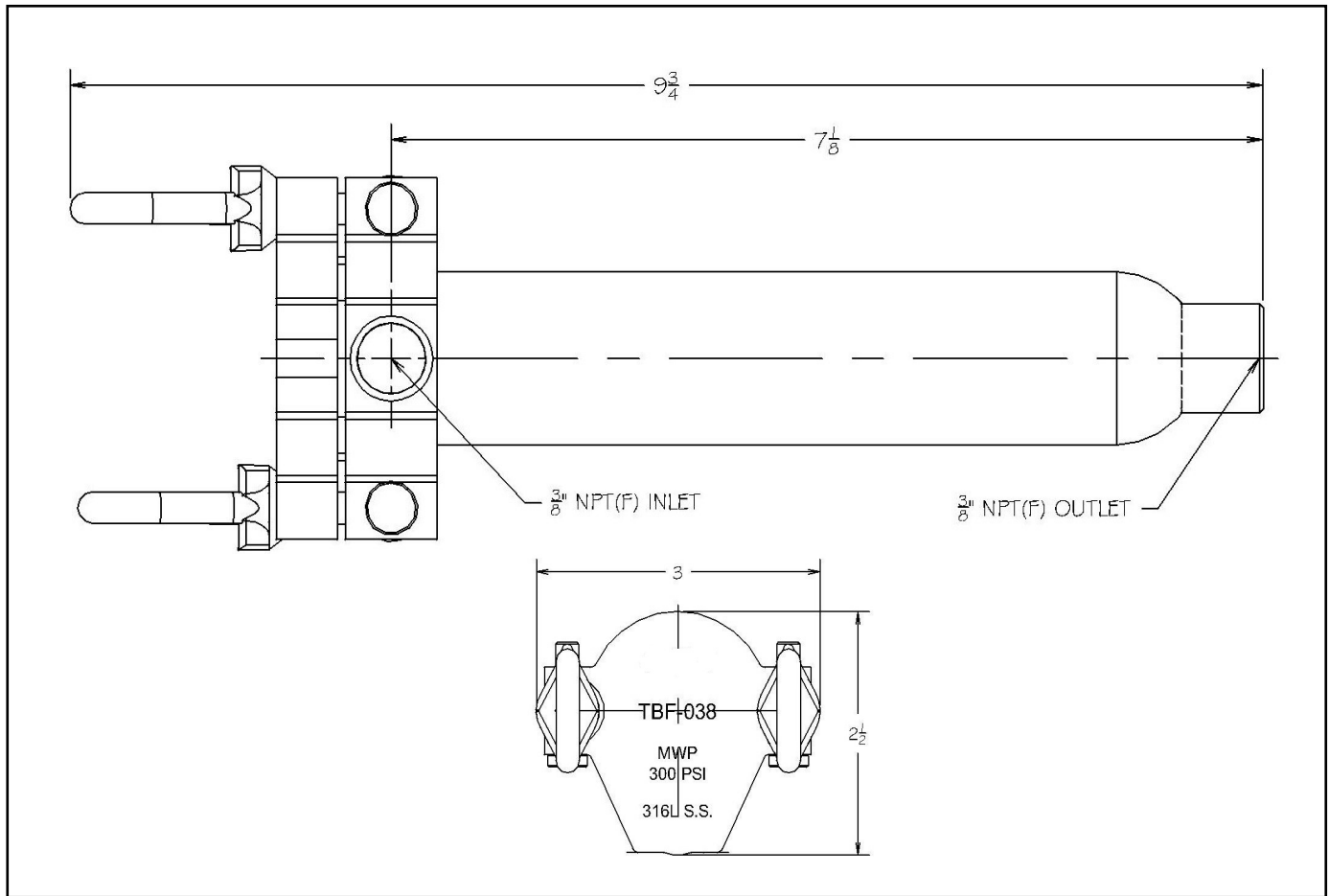
- THE TINY BAG VESSEL IS DESIGNED TO FILL A VOID IN THE MARKET PLACE USING STANDARD DESIGN FEATURES.
- THIS NEW COMPACT BAG VESSEL USES INDUSTRY STANDARD NYLON MONFILAMENT DISPOSABLE BAGS.
- GET COST-EFFECTIVE CLEAN FLUIDS WITH THIS LOW FLOW “NEW” VESSEL.

AMERICAN MADE & INDUSTRIAL
GRADE ENSURING QUALITY &
SAFETY

STANDARD FEATURES:

- ⇒ 316L STAINLESS STEEL
- ⇒ PERMANENTLY PIPED VESSELS
- ⇒ 300 PSI @ 250° F
- ⇒ 3/8" (F) NPT INLET/OUTLET
- ⇒ 2 LUG HINGED LID DESIGN
- ⇒ COMPACT SIZE
- ⇒ DISPOSABLE NYLON FILTER BAGS
- ⇒ STAINLESS STEEL CLEANABLE ELEMENTS
- ⇒ TEFLON GASKETS





BAG SIZES	INDUSTRY STANDARD SBF OR TBV NYLON MONOFILAMENT; 1-800 MICRON (STAINLESS STEEL OPTIONAL)
BASKET LENGTH	6"
BASKET MATERIAL	STAINLESS STEEL PERFORATED 316L STAINLESS STEEL
HOUSING LID	2-LUG HINGED LID
CONNECTION SIZE	3/8" (F) NPT
CONNECTION STYLE	NPT
INLET / OUTLET LOCATIONS	SIDE IN / BOTTOM OUT
SEALS	BUNA, TEFLON
CONSTRUCTION / FINISH	STAINLESS STEEL W/ ELECTROPOLISH
PRESSURE RATING	300 PSI @ 250° F
ADDITIONAL PORTS	N/A
SIZE	COMPACT 2-7/8" X 9-3/4"